

## Hollow Cone Spray Nozzles Series

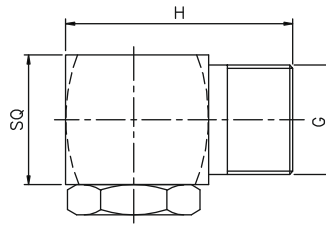
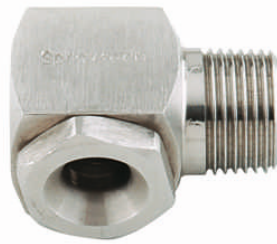


### APPLICATION

- Absorption
- Chemical process engineering
- Cooling
- Disinfection
- Desuperheating
- Dust control
- Fire protection
- Foam destruction
- Gas treatment
- Humidification of air
- Humidification of goods
- Humidification of textiles
- Oil spraying
- Protection of storage tanks
- Spraying onto filters
- Spraying over germinating boxes
- Water recooling
- and many others...

# BA Series Hollow Cone Spray Nozzles

BA



## Tangential Entry Hollow Cone Standard Angle Spray Nozzles (Non-Clogging) :

Hollow cone spray nozzles work on the tangential flow principle and are manufactured by machine tool operation from metal bar stock. This offers versatile construction of small sized nozzles. In addition nozzles can be made on request from any special material and alloys that are available as a bar stock. This flow pattern is essentially a circular ring of liquid. Hollow cone nozzles are best for application requiring good atomization of liquids at lower pressures or where quick heat transfer is needed. These nozzles also feature large and unobstructed flow passage which provide a relatively high resistance to clogging.

**There are Following types of hollow cone nozzles.**

- 1) Tangential Entry
- 2) Inline (Axial) Entry
- 3) Spiral Hollow cone.

- Characteristic** : High resistance to clogging
- Design** : Vaneless (Two Piece Construction ) Non clogging
- Application** : Cooling & Washing of gas

60° SPRAY ANGLE	END CONNECTION (G)					INLET DIA. NOM. (MM)	ORIFICE DIA. NOM. (MM)	FLOW CAPACITY IN LPM AT DIFFERENT PRESSURE							G/A DIMENSION. MM		
	1/8"	1/4"	3/8"	1/2"	3/4"			PRESSURE [BAR]									
MODEL NO.	BSP	BSP	BSP	BSP	BSP			0.5	1.0	2.0	3.0	5.0	7.0	10.0	CONN.	H	SQ
BA14.050	●					1.1	1.2	0.25	0.35	0.50	0.61	0.79	0.94	1.12	1/8"	25.5	16
BA14.075	●	●				1.3	1.4	0.375	0.53	0.75	0.92	1.19	1.40	1.68	Weight (Metals) = 35 gms. Approx		
BA14.100	●	●				1.6	1.7	0.5	0.71	1.00	1.22	1.58	1.87	2.24	1/4"	35	20
BA14.150	●	●				1.9	2.1	0.75	1.06	1.50	1.84	2.37	2.81	3.35	Weight (Metals) = 75 gms. Approx		
BA14.175	●	●				2.0	2.3	0.875	1.24	1.75	2.14	2.77	3.27	3.91	3/8"	35	20
BA14.200	●	●				2.2	2.4	1.0	1.41	2.00	2.45	3.16	3.74	4.47	Weight (Metals) = 75 gms. Approx		
BA14.250	●	●				2.5	2.7	1.25	1.77	2.50	3.06	3.95	4.68	5.59	1/2"	45	25
BA14.300	●	●				2.7	3.0	1.50	2.12	3.00	3.67	4.74	5.61	6.71	Weight (Metals) = 137 gms. Approx		
BA14.350	●	●	●			2.9	3.2	1.75	2.47	3.50	4.29	5.53	6.55	7.83	3/4"	57	32
BA14.400	●	●	●			3.1	3.5	2.00	2.83	4.00	4.90	6.32	7.48	8.94	Weight (Metals) = 286 gms. Approx		
BA14.475	●	●	●			3.4	3.7	2.37	3.36	4.75	5.82	7.51	8.89	10.62			
BA14.650	●	●	●			4.0	4.4	3.25	4.60	6.50	7.96	10.28	12.16	14.53			
BA14.800		●	●			4.4	4.9	4.00	5.66	8.00	9.80	12.65	14.97	17.89			
BA24.100			●			4.9	5.5	5.00	7.07	10.00	12.25	15.81	18.71	22.36			
BA24.125			●			5.5	6.1	6.25	8.84	12.50	15.31	19.76	23.39	27.95			
BA24.160			●	●		6.2	6.9	8.00	11.31	16.00	19.60	25.30	29.93	35.78			
BA24.180			●	●		6.5	7.2	9.00	12.73	18.00	22.05	28.46	33.67	40.25			
BA24.200			●	●		6.9	7.7	10.0	14.14	20.00	24.49	31.62	37.42	44.72			
BA24.225				●	●	7.4	8.2	11.25	15.91	22.50	27.56	35.58	42.09	50.31			
BA24.250				●	●	7.8	8.6	12.5	17.68	25.00	30.62	39.53	46.77	55.90			
BA24.320				●	●	8.8	9.8	16.0	22.63	32.00	39.19	50.60	59.87	71.55			
BA24.400				●	●	9.8	10.9	20.0	28.28	40.00	48.99	63.25	74.83	89.44			
BA24.520				●		11.2	12.4	26.0	36.77	52.00	63.69	82.22	97.28	116.0			
BA24.650				●		12.5	13.9	32.5	45.96	65.00	79.61	102.0	121.0	145.0			
BA24.800				●		13.9	15.4	40.0	56.57	80.00	97.98	126.0	149.0	178.0			

End Connection : X – BSP, Y – BSPT, Z – NPT Available.

# BA Series Hollow Cone Spray Nozzles

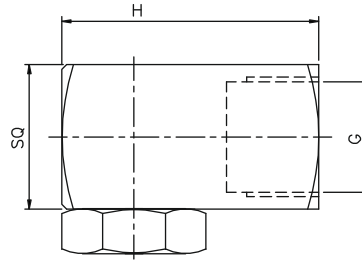
90° SPRAY ANGLE	END CONNECTION (G)					INLET DIA. NOM. (mm)	ORIFICE DIA. NOM. (mm)	FLOW CAPACITY IN LPM AT DIFFERENT PRESSURE							G/A DIMENSION. MM		
	1/8"	1/4"	3/8"	1/2"	3/4"			PRESSURE [BAR]									
MODEL NO.	BSP	BSP	BSP	BSP	BSP			0.5	1.0	2.0	3.0	5.0	7.0	10.0	CONN.	H	SQ
BA16.050	●					1.1	1.2	0.25	0.35	0.5	0.61	0.79	0.94	1.12	1/8"	25.5	16
BA16.075	●	●				1.3	1.4	0.375	0.53	0.7	0.92	1.19	1.40	1.68	Weight (Metals) = 35 gms. Approx		
BA16.100	●	●				1.6	1.7	0.5	0.71	1.00	1.22	1.58	1.87	2.24	1/4"	35	20
BA16.150	●	●				1.9	2.1	0.75	1.06	1.50	1.84	2.37	2.81	3.35	Weight (Metals) = 75 gms. Approx		
BA16.175	●	●				2.0	2.3	0.875	1.24	1.75	2.14	2.77	3.27	3.91	3/8"	35	20
BA16.200	●	●				2.2	2.4	1.0	1.41	2.00	2.45	3.16	3.74	4.47	Weight (Metals) = 75 gms. Approx		
BA16.250	●	●				2.5	2.7	1.25	1.77	2.50	3.06	3.95	4.68	5.59	1/2"	45	25
BA16.300	●	●				2.7	3.0	1.50	2.12	3.00	3.67	4.74	5.61	6.71	Weight (Metals) = 137 gms. Approx		
BA16.350	●	●	●			2.9	3.2	1.75	2.47	3.50	4.29	5.53	6.55	7.83	3/4"	57	32
BA16.400	●	●	●			3.1	3.5	2.00	2.83	4.00	4.90	6.32	7.48	8.94	Weight (Metals) = 286 gms. Approx		
BA16.475	●	●	●			3.4	3.7	2.37	3.36	4.75	5.82	7.51	8.89	10.62			
BA16.650	●	●	●			4.0	4.4	3.25	4.60	6.50	7.96	10.28	12.16	14.53			
BA16.800	●	●	●			4.4	4.9	4.00	5.66	8.00	9.80	12.65	14.97	17.89			
BA26.100		●	●			4.9	5.5	5.00	7.07	10.00	12.25	15.81	18.71	22.36			
BA26.125		●	●			5.5	6.1	6.25	8.84	12.50	15.31	19.76	23.39	27.95			
BA26.160		●	●	●		6.2	6.9	8.00	11.31	16.00	19.60	25.30	29.93	35.78			
BA26.180		●	●	●		6.5	7.2	9.00	12.73	18.00	22.05	28.46	33.67	40.25			
BA26.200		●	●	●		6.9	7.7	10.0	14.14	20.00	24.49	31.62	37.42	44.72			
BA26.225		●	●	●		7.4	8.2	11.25	15.91	22.50	27.56	35.58	42.09	50.31			
BA26.250				●	●	7.8	8.6	12.5	17.68	25.00	30.62	39.53	46.77	55.90			
BA26.320				●	●	8.8	9.8	16.0	22.63	32.00	39.19	50.60	59.87	71.55			
BA26.400				●	●	9.8	10.9	20.0	28.28	40.00	48.99	63.25	74.83	89.44			
BA26.520				●	●	11.2	12.4	26.0	36.77	52.00	63.69	82.22	97.28	116			
BA26.650				●	●	12.5	13.9	32.5	45.96	65.00	79.61	102.77	121	145			
BA26.800				●	●	13.9	15.4	40.0	56.57	80.00	97.98	126.49	149	178			

120° SPRAY ANGLE	END CONNECTION (G)					INLET DIA. NOM. (mm)	ORIFICE DIA. NOM. (mm)	FLOW CAPACITY IN LPM AT DIFFERENT PRESSURE							G/A DIMENSION. MM		
	1/8"	1/4"	3/8"	1/2"	3/4"			PRESSURE [BAR]									
MODEL NO.	BSP	BSP	BSP	BSP	BSP			0.5	1.0	2.0	3.0	5.0	7.0	10.0	CONN.	H	SQ
BA18.050	●					1.1	1.2	0.25	0.35	0.5	0.61	0.79	0.94	1.12	1/8"	25.5	16
BA18.075	●	●				1.3	1.4	0.375	0.53	0.7	0.92	1.19	1.40	1.68	Weight (Metals) = 35 gms. Approx		
BA18.100	●	●				1.6	1.7	0.5	0.71	1.00	1.22	1.58	1.87	2.24	1/4"	35	20
BA18.150	●	●				1.9	2.1	0.75	1.06	1.50	1.84	2.37	2.81	3.35	Weight (Metals) = 75 gms. Approx		
BA18.175	●	●				2.0	2.3	0.875	1.24	1.75	2.14	2.77	3.27	3.91	3/8"	35	20
BA18.200	●	●				2.2	2.4	1.0	1.41	2.00	2.45	3.16	3.74	4.47	Weight (Metals) = 75 gms. Approx		
BA18.250	●	●				2.5	2.7	1.25	1.77	2.50	3.06	3.95	4.68	5.59	1/2"	45	25
BA18.300	●	●				2.7	3.0	1.50	2.12	3.00	3.67	4.74	5.61	6.71	Weight (Metals) = 137 gms. Approx		
BA18.350	●	●	●			2.9	3.2	1.75	2.47	3.50	4.29	5.53	6.55	7.83	3/4"	57	32
BA18.400	●	●	●			3.1	3.5	2.00	2.83	4.00	4.90	6.32	7.48	8.94	Weight (Metals) = 286 gms. Approx		
BA18.475	●	●	●			3.4	3.7	2.37	3.36	4.75	5.82	7.51	8.89	10.62			
BA18.650	●	●	●			4.0	4.4	3.25	4.60	6.50	7.96	10.28	12.16	14.53			
BA18.800	●	●	●			4.4	4.9	4.00	5.66	8.00	9.80	12.65	14.97	17.89			
BA28.100		●	●			4.9	5.5	5.00	7.07	10.00	12.25	15.81	18.71	22.36			
BA28.125		●	●			5.5	6.1	6.25	8.84	12.50	15.31	19.76	23.39	27.95			
BA28.160		●	●	●		6.2	6.9	8.00	11.31	16.00	19.60	25.30	29.93	35.78			
BA28.180		●	●	●		6.5	7.2	9.00	12.73	18.00	22.05	28.46	33.67	40.25			
BA28.200		●	●	●		6.9	7.7	10.0	14.14	20.00	24.49	31.62	37.42	44.72			
BA28.225		●	●	●		7.4	8.2	11.25	15.91	22.50	27.56	35.58	42.09	50.31			
BA28.250				●	●	7.8	8.6	12.5	17.68	25.00	30.62	39.53	46.77	55.90			
BA28.320				●	●	8.8	9.8	16.0	22.63	32.00	39.19	50.60	59.87	71.55			
BA28.400				●	●	9.8	10.9	20.0	28.28	40.00	48.99	63.25	74.83	89.44			
BA28.520				●	●	11.2	12.4	26.0	36.77	52.00	63.69	82.22	97.28	116			
BA28.650				●	●	12.5	13.9	32.5	45.96	65.00	79.61	102	121	145			
BA28.800				●	●	13.9	15.4	40.0	56.57	80.00	97.98	126	149	178			

End Connection : X – BSP, Y - BSPT, Z – NPT Available.

# BB Series Hollow Cone Spray Nozzles

**BB**



## Tangential Entry Hollow Cone Standard Angle Spray Nozzles (Non-Clogging) :

Hollow cone spray nozzles work on the tangential flow principle and are manufactured by machine tool operation from metal bar stock. This offers versatile construction of small sized nozzles. In addition nozzles can be made on request from any special material and alloys that are available as a bar stock. This flow pattern is essentially a circular ring of liquid. Hollow cone nozzles are best for application requiring good atomization of liquids at lower pressures or where quick heat transfer is needed. These nozzles also feature large and unobstructed flow passage which provide a relatively high resistance to clogging.

**There are Following types of hollow cone nozzles.**

- 1) Tangential Entry
- 2) Inline (Axial) Entry
- 3) Spiral Hollow cone.

- Characteristic** : High resistance to clogging
- Design** : Vaneless (Two Piece Construction ) Non clogging
- Application** : Cooling & Washing of gas

60° SPRAY ANGLE	END CONNECTION (G)					INLET DIA. NOM. (MM)	ORIFICE DIA. NOM. (MM)	FLOW CAPACITY IN LPM AT DIFFERENT PRESSURE							G/A DIMENSION. MM		
	1/8"	1/4"	3/8"	1/2"	3/4"			PRESSURE [BAR]									
MODEL NO.	BSP	BSP	BSP	BSP	BSP			0.5	1.0	2.0	3.0	5.0	7.0	10.0	CONN.	H	SQ
BB14.050	●					1.1	1.2	0.25	0.35	0.50	0.61	0.79	0.94	1.12	1/8"	25.5	16
BB14.075	●	●				1.3	1.4	0.375	0.53	0.75	0.92	1.19	1.40	1.68	Weight (Metals) = XX gms. Approx		
BB14.100	●	●				1.6	1.7	0.5	0.71	1.00	1.22	1.58	1.87	2.24	1/4"	35	20
BB14.150	●	●				1.9	2.1	0.75	1.06	1.50	1.84	2.37	2.81	3.35	Weight (Metals) = 62.0 gms. Approx		
BB14.175	●	●				2.0	2.3	0.875	1.24	1.75	2.14	2.77	3.27	3.91	3/8"	35	20
BB14.200	●	●				2.2	2.4	1.0	1.41	2.00	2.45	3.16	3.74	4.47	Weight (Metals) = 77.0 gms. Approx		
BB14.250	●	●				2.5	2.7	1.25	1.77	2.50	3.06	3.95	4.68	5.59	1/2"	45	25
BB14.300	●	●				2.7	3.0	1.50	2.12	3.00	3.67	4.74	5.61	6.71	Weight (Metals) = XX gms. Approx		
BB14.350	●	●	●			2.9	3.2	1.75	2.47	3.50	4.29	5.53	6.55	7.83	3/4"	57	32
BB14.400	●	●	●			3.1	3.5	2.00	2.83	4.00	4.90	6.32	7.48	8.94	Weight (Metals) = 151.0 gms. Approx		
BB14.475	●	●	●			3.4	3.7	2.37	3.36	4.75	5.82	7.51	8.89	10.62			
BB14.650	●	●	●			4.0	4.4	3.25	4.60	6.50	7.96	10.28	12.16	14.53			
BB14.800		●	●			4.4	4.9	4.00	5.66	8.00	9.80	12.65	14.97	17.89			
BB24.100			●			4.9	5.5	5.00	7.07	10.00	12.25	15.81	18.71	22.36			
BB24.125			●			5.5	6.1	6.25	8.84	12.50	15.31	19.76	23.39	27.95			
BB24.160			●	●		6.2	6.9	8.00	11.31	16.00	19.60	25.30	29.93	35.78			
BB24.180			●	●		6.5	7.2	9.00	12.73	18.00	22.05	28.46	33.67	40.25			
BB24.200			●	●		6.9	7.7	10.0	14.14	20.00	24.49	31.62	37.42	44.72			
BB24.225				●	●	7.4	8.2	11.25	15.91	22.50	27.56	35.58	42.09	50.31			
BB24.250				●	●	7.8	8.6	12.5	17.68	25.00	30.62	39.53	46.77	55.90			
BB24.320				●	●	8.8	9.8	16.0	22.63	32.00	39.19	50.60	59.87	71.55			
BB24.400				●	●	9.8	10.9	20.0	28.28	40.00	48.99	63.25	74.83	89.44			
BB24.520				●	●	11.2	12.4	26.0	36.77	52.00	63.69	82.22	97.28	116.0			
BB24.650				●	●	12.5	13.9	32.5	45.96	65.00	79.61	102.0	121.0	145.0			
BB24.800				●	●	13.9	15.4	40.0	56.57	80.00	97.98	126.0	149.0	178.0			

End Connection : X – BSP, Y - BSPT, Z – NPT Available.



# BB Series Hollow Cone Spray Nozzles

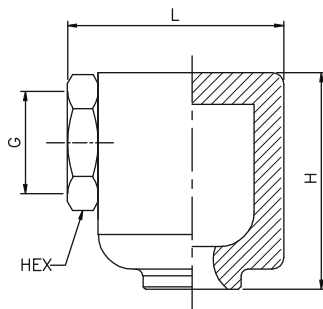
90° SPRAY ANGLE	END CONNECTION (G)					INLET DIA. NOM. (mm)	ORIFICE DIA. NOM. (mm)	FLOW CAPACITY IN LPM AT DIFFERENT PRESSURE							G/A DIMENSION. MM		
	1/8"	1/4"	3/8"	1/2"	3/4"			PRESSURE [BAR]									
MODEL NO.	BSP	BSP	BSP	BSP	BSP			0.5	1.0	2.0	3.0	5.0	7.0	10.0	CONN.	H	SQ
BB16.050	●					1.1	1.2	0.25	0.35	0.5	0.61	0.79	0.94	1.12	1/8"	25.5	16
BB16.075	●	●				1.3	1.4	0.375	0.53	0.7	0.92	1.19	1.40	1.68	Weight (Metals) = 35.0 gms. Approx		
BB16.100	●	●				1.6	1.7	0.5	0.71	1.00	1.22	1.58	1.87	2.24	1/4"	35	20
BB16.150	●	●				1.9	2.1	0.75	1.06	1.50	1.84	2.37	2.81	3.35	Weight (Metals) = 62.0 gms. Approx		
BB16.175	●	●				2.0	2.3	0.875	1.24	1.75	2.14	2.77	3.27	3.91	3/8"	35	20
BB16.200	●	●				2.2	2.4	1.0	1.41	2.00	2.45	3.16	3.74	4.47	Weight (Metals) = 77.0 gms. Approx		
BB16.250	●	●				2.5	2.7	1.25	1.77	2.50	3.06	3.95	4.68	5.59	1/2"	45	25
BB16.300	●	●				2.7	3.0	1.50	2.12	3.00	3.67	4.74	5.61	6.71	Weight (Metals) = 110.0 gms. Approx		
BB16.350	●	●	●			2.9	3.2	1.75	2.47	3.50	4.29	5.53	6.55	7.83	3/4"	57	32
BB16.400	●	●	●			3.1	3.5	2.00	2.83	4.00	4.90	6.32	7.48	8.94	Weight (Metals) = 151.0 gms. Approx		
BB16.475	●	●	●			3.4	3.7	2.37	3.36	4.75	5.82	7.51	8.89	10.62			
BB16.650	●	●	●			4.0	4.4	3.25	4.60	6.50	7.96	10.28	12.16	14.53			
BB16.800		●	●			4.4	4.9	4.00	5.66	8.00	9.80	12.65	14.97	17.89			
BB26.100		●	●			4.9	5.5	5.00	7.07	10.00	12.25	15.81	18.71	22.36			
BB26.125		●	●			5.5	6.1	6.25	8.84	12.50	15.31	19.76	23.39	27.95			
BB26.160		●	●	●		6.2	6.9	8.00	11.31	16.00	19.60	25.30	29.93	35.78			
BB26.180		●	●	●				9.00	12.73	18.00	22.05	28.46	33.67	40.25			
BB26.200		●	●	●		6.9	7.7	10.0	14.14	20.00	24.49	31.62	37.42	44.72			
BB26.225		●	●	●		7.4	8.2	11.25	15.91	22.50	27.56	35.58	42.09	50.31			
BB26.250				●	●	7.8	8.6	12.5	17.68	25.00	30.62	39.53	46.77	55.90			
BB26.320				●	●	8.8	9.8	16.0	22.63	32.00	39.19	50.60	59.87	71.55			
BB26.400				●	●	9.8	10.9	20.0	28.28	40.00	48.99	63.25	74.83	89.44			
BB26.520					●	11.2	12.4	26.0	36.77	52.00	63.69	82.22	97.28	116			
BB26.650					●	12.5	13.9	32.5	45.96	65.00	79.61	102.77	121	145			
BB26.800					●	13.9	15.4	40.0	56.57	80.00	97.98	126.49	149	178			

120° SPRAY ANGLE	END CONNECTION (G)					INLET DIA. NOM. (mm)	ORIFICE DIA. NOM. (mm)	FLOW CAPACITY IN LPM AT DIFFERENT PRESSURE							G/A DIMENSION. MM		
	1/8"	1/4"	3/8"	1/2"	3/4"			PRESSURE [BAR]									
MODEL NO.	BSP	BSP	BSP	BSP	BSP			0.5	1.0	2.0	3.0	5.0	7.0	10.0	CONN.	H	SQ
BB18.050	●					1.1	1.2	0.25	0.35	0.5	0.61	0.79	0.94	1.12	1/8"	25.5	16
BB18.075	●	●				1.3	1.4	0.375	0.53	0.7	0.92	1.19	1.40	1.68	Weight (Metals) = XX gms. Approx		
BB18.100	●	●				1.6	1.7	0.5	0.71	1.00	1.22	1.58	1.87	2.24	1/4"	35	20
BB18.150	●	●				1.9	2.1	0.75	1.06	1.50	1.84	2.37	2.81	3.35	Weight (Metals) = XX gms. Approx		
BB18.175	●	●				2.0	2.3	0.875	1.24	1.75	2.14	2.77	3.27	3.91	3/8"	35	20
BB18.200	●	●				2.2	2.4	1.0	1.41	2.00	2.45	3.16	3.74	4.47	Weight (Metals) = XX gms. Approx		
BB18.250	●	●				2.5	2.7	1.25	1.77	2.50	3.06	3.95	4.68	5.59	1/2"	45	25
BB18.300	●	●				2.7	3.0	1.50	2.12	3.00	3.67	4.74	5.61	6.71	Weight (Metals) = XX gms. Approx		
BB18.350	●	●	●			2.9	3.2	1.75	2.47	3.50	4.29	5.53	6.55	7.83	3/4"	57	32
BB18.400	●	●	●			3.1	3.5	2.00	2.83	4.00	4.90	6.32	7.48	8.94	Weight (Metals) = XX gms. Approx		
BB18.475	●	●	●			3.4	3.7	2.37	3.36	4.75	5.82	7.51	8.89	10.62			
BB18.650	●	●	●			4.0	4.4	3.25	4.60	6.50	7.96	10.28	12.16	14.53			
BB18.800		●	●			4.4	4.9	4.00	5.66	8.00	9.80	12.65	14.97	17.89			
BB28.100		●	●			4.9	5.5	5.00	7.07	10.00	12.25	15.81	18.71	22.36			
BB28.125		●	●			5.5	6.1	6.25	8.84	12.50	15.31	19.76	23.39	27.95			
BB28.160			●	●		6.2	6.9	8.00	11.31	16.00	19.60	25.30	29.93	35.78			
BB28.180			●	●		6.5	7.2	9.00	12.73	18.00	22.05	28.46	33.67	40.25			
BB28.200			●	●		6.9	7.7	10.0	14.14	20.00	24.49	31.62	37.42	44.72			
BB28.225				●		7.4	8.2	11.25	15.91	22.50	27.56	35.58	42.09	50.31			
BB28.250				●	●	7.8	8.6	12.5	17.68	25.00	30.62	39.53	46.77	55.90			
BB28.320				●	●	8.8	9.8	16.0	22.63	32.00	39.19	50.60	59.87	71.55			
BB28.400				●	●	9.8	10.9	20.0	28.28	40.00	48.99	63.25	74.83	89.44			
BB28.520					●	11.2	12.4	26.0	36.77	52.00	63.69	82.22	97.28	116			
BB28.650					●	12.5	13.9	32.5	45.96	65.00	79.61	102	121	145			
BB28.800					●	13.9	15.4	40.0	56.57	80.00	97.98	126	149	178			

End Connection : X – BSP, Y - BSPT, Z – NPT Available.

# BC Series Hollow Cone Spray Nozzles

**BC**



Fine uniform hollow cone spray also at low pressures.

**Application:**

Cooling and cleaning of gas, Water re-cooling, Dust control, Chemical process engineering .

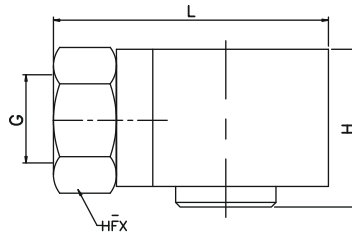
75° SPRAY ANGLE	CONNECTION END				ORIFICE SIZE (mm)	FLOW CAPACITY IN LPM AT DIFFERENT PRESSURE							G/A DIMENSION. MM			
	1"	1 1/2"	2"	2 1/2"		PRESSURE [BAR]							CONN.	H	L	HEX
MODEL NO.	BSP	BSP	BSP	BSP		0.5	1.0	2.0	3.0	5.0	7.0	10.0	1"	60	75	46
BC25.500	●				10.5	25.0	35.36	<b>50.00</b>	61.24	79.06	93.54	111.80	Weight (Metals) = XX gms. Approx			
BC25.630	●				11.8	31.5	44.55	<b>63.00</b>	77.16	99.61	117.86	140.87	1 1/2"	90	92	60
BC25.800	●				13.3	40.0	56.57	<b>80.00</b>	97.98	126.49	149.67	178.89	Weight (Metals) = XX gms. Approx			
BC35.100	●				14.9	50.0	70.71	<b>100.0</b>	122.47	158.11	187.08	223.61	2"	127	118	80
BC35.118		●			16.2	59.0	83.44	<b>118.0</b>	144.52	186.57	220.76	263.86	Weight (Metals) = XX gms. Approx			
BC35.130		●			17.0	65.0	91.92	<b>130.0</b>	159.22	205.55	243.21	290.69	Weight (Metals) = XX gms. Approx			
BC35.160		●			18.8	80.0	113.14	<b>160.0</b>	195.96	252.98	299.33	357.77	2 1/2"	156	140	100
BC35.200		●			21.1	100	141.42	<b>200.0</b>	244.95	316.23	374.17	447.21	Weight (Metals) = XX gms. Approx			
BC35.227		●			22.4	113.5	160.51	<b>227.0</b>	278.02	358.92	424.68	507.59				
BC35.337			●		27.4	168.5	238.29	<b>337.0</b>	412.74	532.84	630.47	753.55				
BC35.469			●		32.3	234.5	331.63	<b>469.0</b>	574.41	741.55	877.42	1048.72				
BC35.540				●	34.6	270	381.84	<b>540.0</b>	661.36	853.81	1010.25	1207.48				

90° SPRAY ANGLE	CONNECTION END				ORIFICE SIZE (mm)	FLOW CAPACITY IN LPM AT DIFFERENT PRESSURE							G/A DIMENSION. MM			
	1"	1 1/2"	2"	2 1/2"		PRESSURE [BAR]							CONN.	H	L	HEX
MODEL NO.	BSP	BSP	BSP	BSP		0.5	1.0	2.0	3.0	5.0	7.0	10.0	1"	60	75	46
BC26.500	●				10.5	25.0	35.36	<b>50.0</b>	61.24	79.06	93.54	111.80	Weight (Metals) = XX gms. Approx			
BC26.630	●				11.8	31.5	44.55	<b>63.0</b>	77.16	99.61	117.86	140.87	1 1/2"	90	92	60
BC26.800	●				13.3	40.0	56.57	<b>80.0</b>	97.98	126.49	149.67	178.89	Weight (Metals) = XX gms. Approx			
BC36.100	●				14.9	50.0	70.71	<b>100</b>	122	158.11	187.08	223.61	2"	127	118	80
BC36.118		●			16.2	59.0	83.44	<b>118</b>	144	186.57	220.76	263.86	Weight (Metals) = XX gms. Approx			
BC36.130		●			17.0	65.0	91.92	<b>130</b>	159	205.55	243.21	290.69	Weight (Metals) = XX gms. Approx			
BC36.160		●			18.8	80.0	113	<b>160</b>	195	252.98	299.33	357.77	2 1/2"	156	140	100
BC36.200		●			21.1	100	141	<b>200</b>	244	316.23	374.17	447.21	Weight (Metals) = XX gms. Approx			
BC36.227		●			22.4	113.5	160.51	<b>227</b>	278.02	358.92	424.68	507.59				
BC36.337			●		27.4	168.5	238.29	<b>337</b>	412.74	532.84	630.47	753.55				
BC36.469			●		32.3	234.5	331.63	<b>469</b>	574.41	741.55	877.42	1048.72				
BC36.540				●	34.6	270	381.84	<b>540</b>	661.36	853.81	1010	1207				

End Connection : X – BSP, Y - BSPT, Z – NPT Available.

# BD Series Hollow Cone Spray Nozzles

**BD**

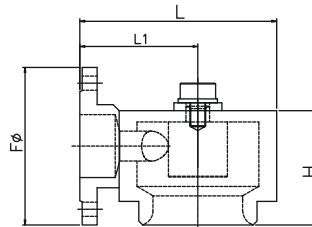


130° SPRAY ANGLE	CONNECTION END				ORIFICE SIZE (mm)	FLOW CAPACITY IN LPM AT DIFFERENT PRESSURE							G/A DIMENSION. MM			
	1"	1 1/2"	2"	2 1/2"		PRESSURE [BAR]							CONN.	H	L	HEX
MODEL NO.	BSP	BSP	BSP	BSP	0.5	1.0	2.0	3.0	5.0	7.0	10.0	1"	1 1/2"	2"	2 1/2"	
BD29.500	●				12.6	25.0	35.36	<b>50.0</b>	61.24	79.06	93.54	111.80	1"	60	94	46
BD29.630	●				14.1	31.5	44.55	<b>63.0</b>	77.16	99.61	117.86	140.87	Weight (Metals) = XX gms. Approx			
BD29.800	●				15.9	40.0	56.57	<b>80.0</b>	97.98	126.49	149.67	178.89	1 1/2"	75	112	60
BD39.100	●				17.8	50.0	70.71	<b>100.0</b>	122.47	158.11	187.08	223.61	Weight (Metals) = XX gms. Approx			
BD39.118		●			19.3	59.0	83.44	<b>118.0</b>	144.52	186.57	220.76	263.86	2"	90	140	75
BD39.130		●			20.3	65.0	91.92	<b>130.0</b>	159.22	205.55	243.21	290.69	Weight (Metals) = XX gms. Approx			
BD39.160		●			22.5	80.0	113.14	<b>160.0</b>	195.96	252.98	299.33	357.77	2 1/2"	127	193	90
BD39.200		●			25.1	100	141.42	<b>200.0</b>	244.95	316.23	374.17	447.21	Weight (Metals) = XX gms. Approx			
BD39.227		●			26.8	113.5	160.51	<b>227.0</b>	278.02	358.92	424.68	507.59				
BD39.337			●		32.6	168.5	238.29	<b>337.0</b>	412.74	532.84	630.47	753.55				
BD39.469			●		38.5	234.5	331.63	<b>469.0</b>	574.41	741.55	877.42	1048				
BD39.540				●	41.3	270	381.84	<b>540.0</b>	661.36	853.81	1010	1207				

End Connection : X – BSP, Y - BSPT, Z – NPT Available.

**BE**

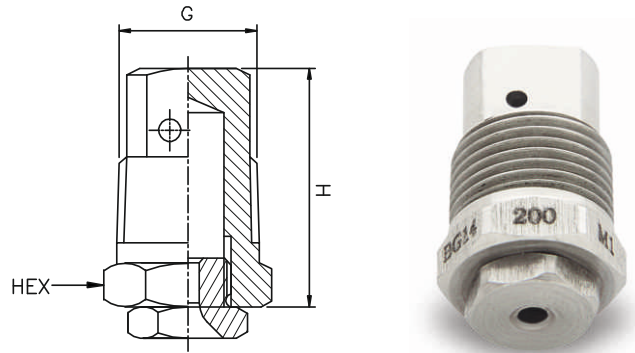
## BE Series For Hollow Cone Spray Nozzles LARGE CAPACITY Flange Connection



130° SPRAY ANGLE	FLANGED CONNECTION		ORIFICE SIZE (mm)	FLOW CAPACITY IN LPM AT DIFFERENT PRESSURE							G/A DIMENSION. MM			
	3"	4"		PRESSURE [BAR]							FØ	L	L1	H
MODEL NO.	3"	4"	0.5	1.0	2.0	3.0	5.0	7.0	10.0	200	250	150	156	
BE39.510	●		32.0	255	360.62	<b>510</b>	624.62	806.38	954.12	1140.39	Weight (Metals) = XX gms. Approx			
BE39.571	●		33.8	285.5	403.76	<b>571</b>	699.33	902.83	1068.24	1276.79				
BE39.642	●		35.9	321	453.96	<b>642</b>	786.29	1015.09	1201.07	1435.56				
BE39.724	●		38.1	362	511.95	<b>724</b>	886.72	1144.74	1354.48	1618.91				
BE39.816	●		40.4	408	577.00	<b>816</b>	999.39	1290.21	1526.60	1824.63				
BE39.918	●		42.9	459	649.12	<b>918</b>	1124.32	1451.49	1717.42	2052.71				
BE49.1020	●		45.2	510	721.25	<b>1020</b>	1249.24	1612.76	1908.25	2280.79				
BE49.1262	●		50.3	631	892.37	<b>1262</b>	1545.63	1995.40	2360.99	2821.92				
BE49.1616		●	56.9	808	1142.68	<b>1616</b>	1979.19	2555.12	3023.26	3613.49	220	354	200	240
BE49.2020		●	63.6	1010	1428.36	<b>2020</b>	2473.98	3193.90	3779.07	4516.86	Weight (Metals) = XX gms. Approx			
BE49.2525		●	71.2	1262.5	1785.44	<b>2525</b>	3092.48	3992.38	4723.84	5646.07				
BE49.3181		●	79.9	1590.5	2249.31	<b>3181</b>	3895.91	5029.60	5951.11	7112.93				

# BG Series Inline Entry Hollow Cone Spray Nozzles

**BG**



Inline Entry Hollow Cone Spray pattern with uniform distribution of finely atomized droplets. Smaller droplets in spray pattern than full cone nozzles of the same capacity at similar pressures.

**Design** : One piece in-line body with removable orifice tip, two piece construction

**Application** : Gas Cooling & Cleaning, Spray drying, Desuperheating, Water Cooling, Fugitive Dust suppression.

60° SPRAY ANGLE	END CONNECTION (G)			INLET DIA. NOM. (mm)	ORIFICE SIZE (mm)	FLOW CAPACITY IN LPM AT DIFFERENT PRESSURE							G/A DIMENSION. MM		
	1/4"	3/8"	1/2"			PRESSURE [BAR]									
MODEL NO.	BSP BSPT NPT	BSP BSPT NPT	BSP BSPT NPT			0.5	1.0	2.0	3.0	5.0	7.0	10.0	CONN.	H	HEX
BG14.050	●			1.2	1.1	0.25	0.35	0.50	0.61	0.79	0.94	1.12	1/4"	28.5	14
BG14.075	●			1.4	1.3	0.37	0.53	0.75	0.92	1.19	1.40	1.68	Weight (Metals) = 20.9 gms. Approx		
BG14.100	●			1.7	1.6	0.5	0.71	1.00	1.22	1.58	1.87	2.24	3/8"	30	17
BG14.150	●	●		2.1	2.0	0.75	1.06	1.50	1.84	2.37	2.81	3.35	Weight (Metals) = 33.3 gms. Approx		
BG14.175	●	●		2.2	2.1	0.87	1.24	1.75	2.14	2.77	3.27	3.91	1/2"	37.5	22
BG14.200	●	●		2.4	2.3	1.00	1.41	2.00	2.45	3.16	3.74	4.47	Weight (Metals) = 60.1 gms. Approx		
BG14.250	●	●		2.7	2.5	1.25	1.77	2.50	3.06	3.95	4.68	5.59			
BG14.300		●		2.9	2.8	1.50	2.12	3.00	3.67	4.74	5.61	6.71			
BG14.350		●		3.2	3.0	1.75	2.47	3.50	4.29	5.53	6.55	7.83			
BG14.400		●		3.4	3.2	2.00	2.83	4.00	4.90	6.32	7.48	8.94			
BG14.475		●		3.7	3.5	2.37	3.36	4.75	5.82	7.51	8.89	10.62			
BG14.650		●	●	4.3	4.1	3.25	4.60	6.50	7.96	10.28	12.16	14.53			
BG14.800		●	●	4.8	4.5	4.00	5.66	8.00	9.80	12.65	14.97	17.89			
BG24.100			●	5.4	5.1	5.00	7.07	10.00	12.25	15.81	18.71	22.36			
BG24.125			●	6.0	5.7	6.25	8.84	12.50	15.31	19.76	23.39	27.95			
BG24.160			●	6.8	6.4	8.00	11.31	16.00	19.60	25.30	29.93	35.78			
BG24.180			●	7.2	6.8	9.00	12.73	18.00	22.05	28.46	33.67	40.25			

End Connection : X – BSP, Y - BSPT, Z – NPT Available.



# BG Series Inline Entry Hollow Cone Spray Nozzles

**BG**

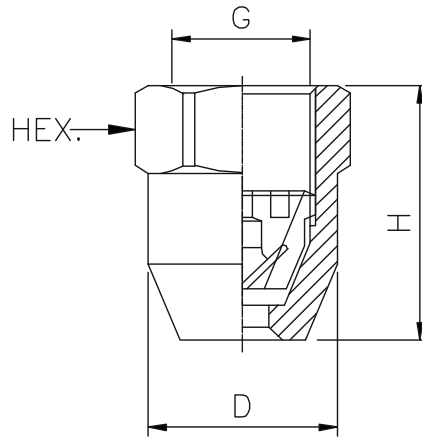
90° SPRAY ANGLE	END CONNECTION (G)					INLET DIA. NOM. (mm)	ORIFICE SIZE (mm)	FLOW CAPACITY IN LPM AT DIFFERENT PRESSURE							G/A DIMENSION. MM		
	1/4"	3/8"	1/2"	3/4"	1 1/2"			PRESSURE [BAR]									
MODEL NO.	BSP	BSP	BSP	BSP	BSP			0.5	1.0	2.0	3.0	5.0	7.0	10.0	CONN.	H	HEX
BG16.050	●					1.2	1.1	0.25	0.35	0.50	0.61	0.79	0.94	1.12	1/4"	28.5	14
BG16.075	●					1.4	1.3	0.37	0.53	0.75	0.92	1.19	1.40	1.68	Weight (Metals) = XX gms. Approx		
BG16.100	●					1.7	1.6	0.5	0.71	1.00	1.22	1.58	1.87	2.24	3/8"	30.5	17
BG16.150	●	●				2.1	2.0	0.75	1.06	1.50	1.84	2.37	2.81	3.35	Weight (Metals) = XX gms. Approx		
BG16.175	●	●				2.2	2.1	0.875	1.24	1.75	2.14	2.77	3.27	3.91	1/2"	37.5	22
BG16.200	●	●				2.4	2.3	1.00	1.41	2.00	2.45	3.16	3.74	4.47	Weight (Metals) = XX gms. Approx		
BG16.250	●	●				2.7	2.5	1.25	1.77	2.50	3.06	3.95	4.68	5.59	3/4"	44.5	27
BG16.300		●		●		2.9	2.8	1.50	2.12	3.00	3.67	4.74	5.61	6.71	Weight (Metals) = XX gms. Approx		
BG16.350		●		●		3.2	3.0	1.75	2.47	3.50	4.29	5.53	6.55	7.83	1 1/2"	68	48
BG16.400		●		●		3.4	3.2	2.00	2.83	4.00	4.90	6.32	7.48	8.94	Weight (Metals) = XX gms. Approx		
BG16.475		●		●		3.7	3.5	2.37	3.36	4.75	5.82	7.51	8.89	10.62			
BG16.650		●	●	●		4.3	4.1	3.25	4.60	6.50	7.96	10.28	12.16	14.53			
BG16.800			●	●		4.8	4.5	4.00	5.66	8.00	9.80	12.65	14.97	17.89			
BG26.100			●	●		5.4	5.1	5.00	7.07	10.00	12.25	15.81	18.71	22.36			
BG26.125			●	●		6.0	5.7	6.25	8.84	12.50	15.31	19.76	23.39	27.95			
BG26.160			●	●		6.8	6.4	8.00	11.31	16.00	19.60	25.30	29.93	35.78			
BG26.180			●	●		7.2	6.8	9.00	12.73	18.00	22.05	28.46	33.67	40.25			
BG26.200				●		7.6	7.2	10.00	14.14	20.00	24.49	31.62	37.42	44.72			
BG26.225				●		8.1	7.6	11.25	15.91	22.50	27.56	35.58	42.09	50.31			
BG26.250				●	●	8.5	8.0	12.5	17.68	25.00	30.62	39.53	46.77	55.90			
BG26.320				●	●	9.6	9.1	16.00	22.63	32.00	39.19	50.60	59.87	71.55			

120° SPRAY ANGLE	END CONNECTION (G)					INLET DIA. NOM. (mm)	ORIFICE SIZE (mm)	FLOW CAPACITY IN LPM AT DIFFERENT PRESSURE							G/A DIMENSION. MM		
	1/4"	3/8"	1/2"	3/4"	1 1/2"			PRESSURE [BAR]									
MODEL NO.	BSP	BSP	BSP	BSP	BSP			0.5	1.0	2.0	3.0	5.0	7.0	10.0	CONN.	H	HEX
BG18.050	●					1.2	1.1	0.25	0.35	0.50	0.61	0.79	0.94	1.12	1/4"	28.5	14
BG18.075	●					1.4	1.3	0.37	0.53	0.75	0.92	1.19	1.40	1.68	Weight (Metals) = XX gms. Approx		
BG18.100	●					1.7	1.6	0.5	0.71	1.00	1.22	1.58	1.87	2.24	3/8"	30.5	17
BG18.150	●	●				2.1	2.0	0.75	1.06	1.50	1.84	2.37	2.81	3.35	Weight (Metals) = XX gms. Approx		
BG18.175	●	●				2.2	2.1	0.875	1.24	1.75	2.14	2.77	3.27	3.91	1/2"	37.5	22
BG18.200	●	●				2.4	2.3	1.00	1.41	2.00	2.45	3.16	3.74	4.47	Weight (Metals) = XX gms. Approx		
BG18.250	●	●				2.7	2.5	1.25	1.77	2.50	3.06	3.95	4.68	5.59	3/4"	44.5	27
BG18.300		●		●		2.9	2.8	1.50	2.12	3.00	3.67	4.74	5.61	6.71	Weight (Metals) = XX gms. Approx		
BG18.350		●		●		3.2	3.0	1.75	2.47	3.50	4.29	5.53	6.55	7.83	1 1/2"	68	48
BG18.400		●		●		3.4	3.2	2.00	2.83	4.00	4.90	6.32	7.48	8.94	Weight (Metals) = 595 gms. Approx		
BG18.475		●		●		3.7	3.5	2.37	3.36	4.75	5.82	7.51	8.89	10.62			
BG18.650		●	●	●		4.3	4.1	3.25	4.60	6.50	7.96	10.28	12.16	14.53			
BG18.800			●	●		4.8	4.5	4.00	5.66	8.00	9.80	12.65	14.97	17.89			
BG28.100			●	●		5.4	5.1	5.00	7.07	10.00	12.25	15.81	18.71	22.36			
BG28.125			●	●		6.0	5.7	6.25	8.84	12.50	15.31	19.76	23.39	27.95			
BG28.160			●	●		6.8	6.4	8.00	11.31	16.00	19.60	25.30	29.93	35.78			
BG28.180				●		7.2	6.8	9.00	12.73	18.00	22.05	28.46	33.67	40.25			
BG28.200				●		7.6	7.2	10.00	14.14	20.00	24.49	31.62	37.42	44.72			
BG28.225				●		8.1	7.6	11.25	15.91	22.50	27.56	35.58	42.09	50.31			
BG28.250				●	●	8.5	8.0	12.5	17.68	25.00	30.62	39.53	46.77	55.90			
BG28.320				●	●	9.6	9.1	16.00	22.63	32.00	39.19	50.60	59.87	71.55			
BG28.400					●	10.8	10.1	20.00	28.28	40.00	48.99	63.60	74.83	89.44			
BG28.520					●	12.3	11.5	26.00	36.77	52.00	63.69	82.22	97.28	116.28			
BG28.650					●	13.71	12.9	32.5	45.96	65.00	79.61	102.77	121.60	145.34			
BG28.800					●	15.2	14.3	40.00	56.57	80.00	97.98	126.49	149.67	178.89			

End Connection : X – BSP, Y - BSPT, Z – NPT Available.

# BH Series Hollow Cone Spray Nozzles

**BH**



Axial hollow cone spray nozzles in two piece body and swirl insert spiral grooves conduct liquid along a straight through axial flow line, producing an especially fine atomized spray.

### Application :

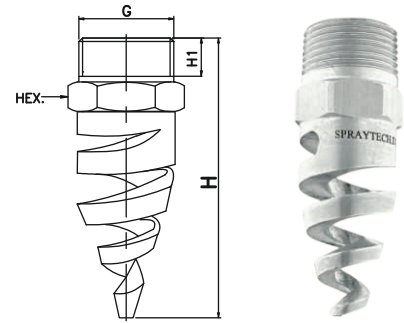
- Cooling and cleaning of air / gas
- Dust Suppression
- Spray drying
- Filter cleaning
- Desuperheating

MODEL NO.	CONNECTION END				ORIFICE SIZE (mm)	FLOW CAPACITY IN LPM AT DIFFERENT PRESSURE							G/A DIMENSION. MM			
	1/4"	1/4"	3/8"	1/2"		PRESSURE [BAR]							CONN.	H	D	HEX
	BSP	BSP	BSP	BSP		0.5	1.0	2.0	3.0	5.0	7.0	10.0				
<b>60 ° SPRAY ANGLE</b>																
BH14.050	●	●			1.0	0.25	0.35	<b>0.50</b>	0.61	0.79	0.94	1.12	1/8"	18	13.5	14
BH14.075	●	●			1.1	0.375	0.53	<b>0.75</b>	0.92	1.19	1.40	1.68	Weight (Metals) = XX gms. Approx			
BH14.100	●	●	●		1.2	0.5	0.71	<b>1.00</b>	1.22	1.58	1.87	2.24	1/4"	22	16.5	17
BH14.150	●	●	●		2.0	0.75	1.06	<b>1.50</b>	1.84	2.37	2.81	3.35	Weight (Metals) = XX gms. Approx			
BH14.200	●	●	●		3.0	1.00	1.41	<b>2.00</b>	2.45	3.16	3.74	4.47	3/8"	29	21.5	22
BH14.250		●	●		3.5	1.25	1.77	<b>2.50</b>	3.06	3.95	4.68	5.59	Weight (Metals) = XX gms. Approx			
<b>75 ° SPRAY ANGLE</b>													1/2"	36	26.7	27
BH15.050	●	●			1.0	0.25	0.35	<b>0.50</b>	0.61	0.79	0.94	1.12	Weight (Metals) = XX gms. Approx			
BH15.075	●	●			1.1	0.375	0.53	<b>0.75</b>	0.92	1.19	1.40	1.68				
BH15.100	●	●	●		1.2	0.5	0.71	<b>1.00</b>	1.22	1.58	1.87	2.24				
BH15.150	●	●	●		2.0	0.75	1.06	<b>1.50</b>	1.84	2.37	2.81	3.35				
BH15.200	●	●	●		3.0	1.00	1.41	<b>2.00</b>	2.45	3.16	3.74	4.47				
BH15.250		●	●		3.5	1.25	1.77	<b>2.50</b>	3.06	3.95	4.68	5.59				
<b>90 ° SPRAY ANGLE</b>																
BH16.050	●	●			1.0	0.25	0.35	<b>0.50</b>	0.61	0.79	0.94	1.12				
BH16.275	●	●			1.1	0.375	0.53	<b>0.75</b>	0.92	1.19	1.40	1.68				
BH16.100	●	●	●		1.2	0.5	0.71	<b>1.00</b>	1.22	1.58	1.87	2.24				
BH16.150	●	●	●		2.0	0.75	1.06	<b>1.50</b>	1.84	2.37	2.81	3.35				
BH16.200	●	●	●		3.0	1.00	1.41	<b>2.00</b>	2.45	3.16	3.74	4.47				
BH16.250		●	●		3.5	1.25	1.77	<b>2.50</b>	3.06	3.95	4.68	5.59				
BH16.350			●		4.00	1.75	2.47	<b>3.50</b>	4.29	5.53	6.55	7.83				
BH16.400			●		4.50	2.00	2.83	<b>4.00</b>	4.90	6.32	7.48	8.94				
BH16.475			●	●	5.00	2.37	3.36	<b>4.75</b>	5.82	7.51	8.89	10.62				
BH16.650			●	●	5.50	3.25	4.60	<b>6.50</b>	7.96	10.28	12.16	14.53				
BH16.800			●	●	6.00	4.00	5.66	<b>8.00</b>	9.80	12.65	14.97	17.89				
BH26.100				●	7.00	5.00	7.07	<b>10.00</b>	12.25	15.81	18.71	22.36				
BH26.125				●	8.00	6.25	8.84	<b>12.50</b>	15.31	19.76	23.39	27.95				
BH26.160				●	9.00	8.00	11.31	<b>16.00</b>	19.60	25.30	29.93	35.78				

# BI Series Hollow Cone Spray Nozzles



Spiral Hollow cone Spray Nozzle have no internal parts and features large free passage for minimized clogging & fine droplets at a higher velocity. Compact Nozzle design provide higher flow rates though smaller connection sizes.



## Application :

Gas Scrubbers, Cooling Towers, Chemical processing.

60° SPRAY ANGLE	CONNECTION END					ORIFICE SIZE (mm)	FLOW CAPACITY IN LPM AT DIFFERENT PRESSURE							G/A DIMENSION. MM			
	1/4"	3/8"	1/2"	3/4"	1"		PRESSURE [BAR]							CONN.	H	H1	HEX
MODEL NO.	BSP	BSP	BSP	BSP	BSP		0.5	1.0	2.0	3.0	5.0	7.0	10.0	1/4"	48	10	14
BI14.650	●					2.5	3.25	4.60	<b>6.50</b>	7.96	10.28	12.16	14.53	Weight (Metals) = XX gms. Approx			
BI14.800	●					2.8	4.00	5.66	<b>8.00</b>	9.80	12.65	14.97	17.89	3/8" 58 10 17			
BI24.100	●	●				3.1	5.00	7.07	<b>10.00</b>	12.25	15.81	18.71	22.36	Weight (Metals) = XX gms. Approx			
BI24.125	●	●				3.5	6.25	8.84	<b>12.50</b>	15.31	19.76	23.39	27.95	1/2" 76 13.2 22			
BI24.160		●				4.0	8.00	11.31	<b>16.00</b>	19.60	25.30	29.93	35.78	Weight (Metals) = XX gms. Approx			
BI24.225		●				4.7	11.25	15.91	<b>22.50</b>	27.56	35.58	42.09	50.31	3/4" 86 14.5 27			
BI24.250		●				5.0	12.5	17.68	<b>25.00</b>	30.62	39.53	46.77	55.90	Weight (Metals) = XX gms. Approx			
BI24.320		●				5.6	16.00	22.63	<b>32.00</b>	39.19	50.60	59.87	71.55				
BI24.400		●				6.3	20.00	28.28	<b>40.00</b>	48.99	63.25	74.83	89.44				
BI24.520		●	●			7.2	26.00	36.77	<b>52.00</b>	63.69	82.22	97.28	116.28				
BI24.650			●			8.0	32.5	45.96	<b>65.00</b>	79.61	102.77	121.60	145.34				
BI24.800			●			8.9	40.00	56.57	<b>80.00</b>	97.98	126.49	149.67	178.89				
BI34.100			●	●		10.0	50.00	70.71	<b>100.0</b>	122.47	158.11	187.08	223.61				
BI34.118				●		10.8	59.00	83.44	<b>118.0</b>	144.52	186.57	220.76	263.86				
BI34.130				●		11.4	65.00	91.92	<b>130.0</b>	159.22	205.55	243.21	290.69				
BI34.160				●		12.6	80.00	113.14	<b>160.0</b>	195.96	252.98	299.33	357.77				
BI34.200					●	14.1	100	141.42	<b>200.0</b>	244.95	316.23	374.17	447.21				
BI34.227					●	15.0	113.5	160.51	<b>227.0</b>	278.02	358.92	424.68	507.59				
BI34.337					●	18.3	168.5	238.29	<b>337.0</b>	412.74	532.84	630.47	753.55	1"	108	16.8	36

90° SPRAY ANGLE	CONNECTION END					ORIFICE SIZE (mm)	FLOW CAPACITY IN LPM AT DIFFERENT PRESSURE							G/A DIMENSION. MM			
	1/4"	3/8"	1/2"	3/4"	1"		PRESSURE [BAR]							CONN.	H	H1	HEX
MODEL NO.	BSP	BSP	BSP	BSP	BSP		0.5	1.0	2.0	3.0	5.0	7.0	10.0	1/4"	48	10	14
BI16.650	●					2.5	3.25	4.60	<b>6.50</b>	7.96	10.28	12.16	14.53	1/4" 48 10 14			
BI16.800	●					2.8	4.00	5.66	<b>8.00</b>	9.80	12.65	14.97	17.89	Weight (Metals) = 27.0 gms. Approx			
BI26.100	●	●				3.1	5.00	7.07	<b>10.00</b>	12.25	15.81	18.71	22.36	3/8" 58 10 17			
BI26.125	●	●				3.5	6.25	8.84	<b>12.50</b>	15.31	19.76	23.39	27.95	Weight (Metals) = 53.7 gms. Approx			
BI26.160		●				4.0	8.00	11.31	<b>16.00</b>	19.60	25.30	29.93	35.78	1/2" 76 13.2 22			
BI26.225		●				4.7	11.25	15.91	<b>22.50</b>	27.56	35.58	42.09	50.31	Weight (Metals) = 53.7 gms. Approx			
BI26.250		●				5.0	12.5	17.68	<b>25.00</b>	30.62	39.53	46.77	55.90	3/4" 86 14.5 27			
BI26.320		●				5.6	16.00	22.63	<b>32.00</b>	39.19	50.60	59.87	71.55	Weight (Metals) = 170.0 gms. Approx			
BI26.400		●				6.3	20.00	28.28	<b>40.00</b>	48.99	63.25	74.83	89.44	1" 108 16.8 36			
BI26.520		●	●			7.2	26.00	36.77	<b>52.00</b>	63.69	82.22	97.28	116.28	Weight (Metals) = 170.0 gms. Approx			
BI26.650			●			8.0	32.5	45.96	<b>65.00</b>	79.61	102.77	121.60	145.34				
BI26.800			●			8.9	40.00	56.57	<b>80.00</b>	97.98	126.49	149.67	178.89				
BI36.100			●	●		10.0	50.00	70.71	<b>100.0</b>	122.47	158.11	187.08	223.61				
BI36.118				●		10.8	59.00	83.44	<b>118.0</b>	144.52	186.57	220.76	263.86				
BI36.130				●		11.4	65.00	91.92	<b>130.0</b>	159.22	205.55	243.21	290.69				
BI36.160				●		12.6	80.00	113.14	<b>160.0</b>	195.96	252.98	299.33	357.77				
BI36.200					●	14.1	100	141.42	<b>200.0</b>	244.95	316.23	374.17	447.21				
BI36.227					●	15.0	113.5	160.51	<b>227.0</b>	278.02	358.92	424.68	507.59				
BI36.337					●	18.3	168.5	238.29	<b>337.0</b>	412.74	532.84	630.47	753.55				

End Connection : X – BSP, Y - BSPT, Z – NPT Available.

# BI Series Hollow Cone Spray Nozzles

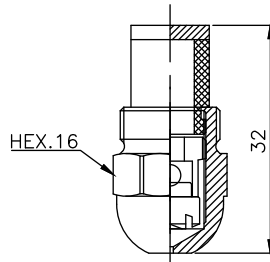
120° SPRAY ANGLE	CONNECTION END					ORIFICE SIZE (mm)	FLOW CAPACITY IN LPM AT DIFFERENT PRESSURE VALUES							G/A DIMENSION. MM			
	1/4"	3/8"	1/2"	3/4"	1"		Pressure [bar]										
MODEL NO.	BSP	BSP	BSP	BSP	BSP		0.5	1.0	2.0	3.0	5.0	7.0	10.0	CONN.	H	H1	HEX
BI18.650	●					2.5	3.25	4.60	<b>6.50</b>	7.96	10.28	12.16	14.53	1/4"	48	10	14
BI18.800	●					2.8	4.00	5.66	<b>8.00</b>	9.80	12.65	14.97	17.89	Weight (Metals) = XX gms. Approx			
BI28.100	●	●				3.1	5.00	7.07	<b>10.00</b>	12.25	15.81	18.71	22.36	3/8"	58	10	17
BI28.125	●	●				3.5	6.25	8.84	<b>12.50</b>	15.31	19.76	23.39	27.95	Weight (Metals) = XX gms. Approx			
BI28.160		●				4.0	8.00	11.31	<b>16.00</b>	19.60	25.30	29.93	35.78	1/2"	76	13.2	22
BI28.225		●				4.7	11.25	15.91	<b>22.50</b>	27.56	35.58	42.09	50.31	Weight (Metals) = XX gms. Approx			
BI28.250		●				5.0	12.5	17.68	<b>25.00</b>	30.62	39.53	46.77	55.90	3/4"	86	14.5	27
BI28.320		●				5.6	16.00	22.63	<b>32.00</b>	39.19	50.60	59.87	71.55	Weight (Metals) = XX gms. Approx			
BI28.400		●				6.3	20.00	28.28	<b>40.00</b>	48.99	63.25	74.83	89.44	1"	108	16.8	36
BI28.520		●	●			7.2	26.00	36.77	<b>52.00</b>	63.69	82.22	97.28	116.28	Weight (Metals) = XX gms. Approx			
BI28.650			●			8.0	32.5	45.96	<b>65.00</b>	79.61	102.77	121.60	145.34				
BI28.800			●			8.9	40.00	56.57	<b>80.00</b>	97.98	126.49	149.67	178.89				
BI38.100			●	●		10.0	50.00	70.71	<b>100.0</b>	122.47	158.11	187.08	223.61				
BI38.118				●		10.8	59.00	83.44	<b>118.0</b>	144.52	186.57	220.76	263.86				
BI38.130				●		11.4	65.00	91.92	<b>130.0</b>	159.22	205.55	243.21	290.69				
BI38.160				●		12.6	80.00	113.14	<b>160.0</b>	195.96	252.98	299.33	357.77				
BI38.200					●	14.1	100	141.42	<b>200.0</b>	244.95	316.23	374.17	447.21				
BI38.227					●	15.0	113.5	160.51	<b>227.0</b>	278.02	358.92	424.68	507.59				
BI38.337					●	18.3	168.5	238.29	<b>337.0</b>	412.74	532.84	630.47	753.55				

180° SPRAY ANGLE	CONNECTION END					ORIFICE SIZE (mm)	FLOW CAPACITY IN LPM AT DIFFERENT PRESSURE							G/A DIMENSION. MM			
	1/4"	3/8"	1/2"	3/4"	1"		PRESSURE [BAR]										
MODEL NO.	BSP	BSP	BSP	BSP	BSP		0.5	1.0	2.0	3.0	5.0	7.0	10.0	CONN.	H	H1	HEX
BI19.650	●					2.5	3.25	4.60	<b>6.50</b>	7.96	10.28	12.16	14.53	1/4"	48	10	14
BI19.800	●					2.8	4.00	5.66	<b>8.00</b>	9.80	12.65	14.97	17.89	Weight (Metals) = XX gms. Approx			
BI29.100	●	●				3.1	5.00	7.07	<b>10.00</b>	12.25	15.81	18.71	22.36	3/8"	58	10	17
BI29.125	●	●				3.5	6.25	8.84	<b>12.50</b>	15.31	19.76	23.39	27.95	Weight (Metals) = XX gms. Approx			
BI29.160		●				4.0	8.00	11.31	<b>16.00</b>	19.60	25.30	29.93	35.78	1/2"	76	13.2	22
BI29.225		●				4.7	11.25	15.91	<b>22.50</b>	27.56	35.58	42.09	50.31	Weight (Metals) = XX gms. Approx			
BI29.250		●				5.0	12.5	17.68	<b>25.00</b>	30.62	39.53	46.77	55.90	3/4"	86	14.5	27
BI29.320		●				5.6	16.00	22.63	<b>32.00</b>	39.19	50.60	59.87	71.55	Weight (Metals) = XX gms. Approx			
BI29.400		●				6.3	20.00	28.28	<b>40.00</b>	48.99	63.25	74.83	89.44	1"	108	16.8	36
BI29.520		●	●			7.2	26.00	36.77	<b>52.00</b>	63.69	82.22	97.28	116.28	Weight (Metals) = XX gms. Approx			
BI29.650			●			8.0	32.5	45.96	<b>65.00</b>	79.61	102.77	121.60	145.34				
BI29.800			●			8.9	40.00	56.57	<b>80.00</b>	97.98	126.49	149.67	178.89				
BI39.100			●	●		10.0	50.00	70.71	<b>100.0</b>	122.47	158.11	187.08	223.61				
BI39.118				●		10.8	59.00	83.44	<b>118.0</b>	144.52	186.57	220.76	263.86				
BI39.130				●		11.4	65.00	91.92	<b>130.0</b>	159.22	205.55	243.21	290.69				
BI39.160				●		12.6	80.00	113.14	<b>160.0</b>	195.96	252.98	299.33	357.77				
BI39.200					●	14.1	100	141.42	<b>200.0</b>	244.95	316.23	374.17	447.21				
BI39.227					●	15.0	113.5	160.51	<b>227.0</b>	278.02	358.92	424.68	507.59				
BI39.337					●	18.3	168.5	238.29	<b>337.0</b>	412.74	532.84	630.47	753.55				

End Connection : X – BSP, Y - BSPT, Z – NPT Available.

# BK Series Hollow Cone Spray Nozzles

**BK**



Oil burner nozzles are available in semi hollow cone spray pattern. Micro-finish of tip & disc seats permitting flow only through the slots of the disc, plus extremely close manufacturing tolerances, ensure accurate capacity control. These nozzles are fitted with filter in order to provide highly efficient in depth filtration with one piece construction extra fine filter microns are supplied as standard on all small capacity nozzles.

**Application :-**

LDO firing in kilns of cement, sponge, Iron plants & Dust suppression.

**Oil Burner Spray Nozzles**

G	L1	L2	HEX
9/16	7 mm	20.5 mm	16 mm
With Filter	7 mm	32 mm	16 mm

**Range :-**

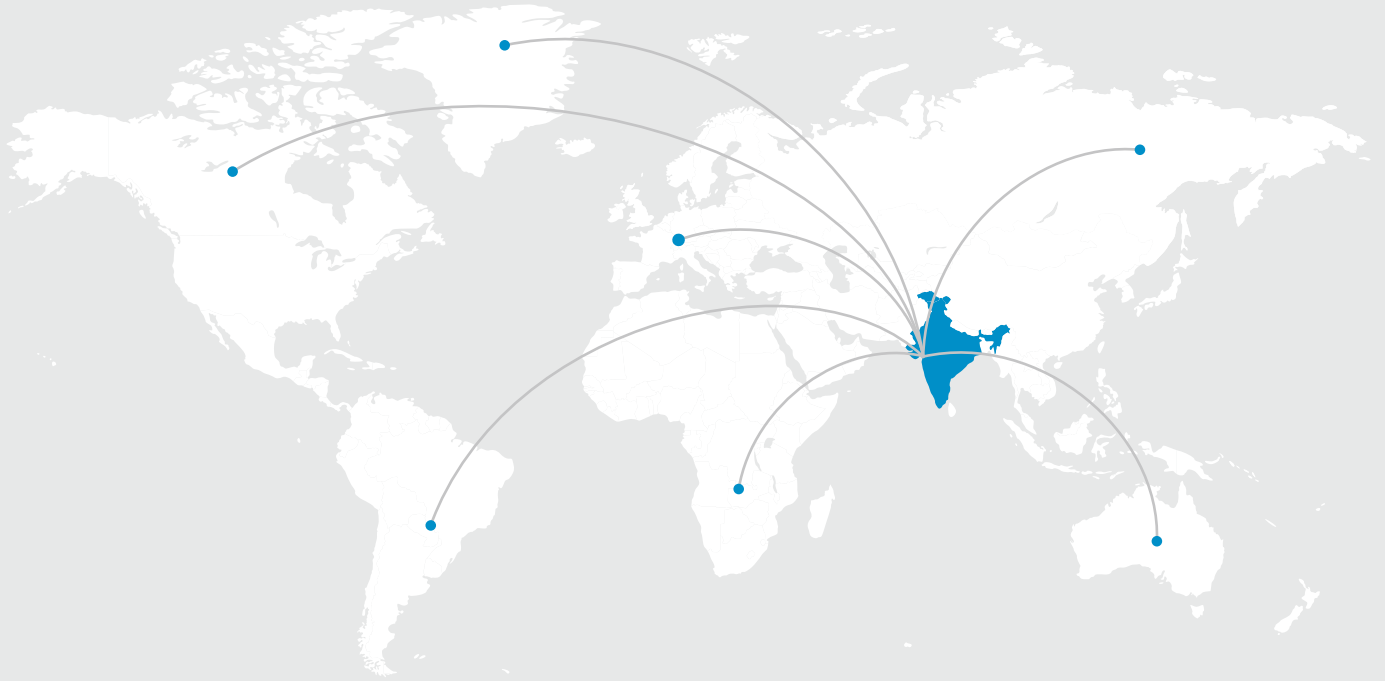
Spray Angle : 45°, 60°, 75°, 90°.

Connection : 9/16" UNEF

M. O. C. : SS303 /SS304 /SS316/ BRASS

MODEL NO.				Capacity in LPM @ 2 bar	Flow Rate (GPH) @ Various Pressure (psi)					
45° SPRAY ANGLE	60° SPRAY ANGLE	75° SPRAY ANGLE	90° SPRAY ANGLE		75	100	125	150	175	200
BK13.0.75	BK14.0.75	BK15.0.75	BK16.0.75	0.03	0.63	0.75	0.79	0.95	0.97	1.10
BK13.1.00	BK14.1.00	BK15.1.00	BK16.1.00	0.03	0.79	1.00	1.10	1.24	1.26	1.42
BK13.1.50	BK14.1.50	BK15.1.50	BK16.1.50	0.05	1.26	1.50	1.74	1.90	1.92	2.06
BK13.2.00	BK14.2.00	BK15.2.00	BK16.2.00	0.07	1.74	2.00	2.21	2.37	2.69	2.85
BK13.2.50	BK14.2.50	BK15.2.50	BK16.2.50	0.09	2.16	2.50	2.80	3.06	3.30	3.54
BK13.3.00	BK14.3.00	BK15.3.00	BK16.3.00	0.1	2.59	3.00	3.35	3.68	3.97	4.25
BK13.3.50	BK14.3.50	BK15.3.50	BK16.3.50	0.12	3.03	3.50	3.91	4.29	4.63	4.95
BK13.4.00	BK14.4.00	BK15.4.00	BK16.4.00	0.13	3.46	4.00	4.47	4.90	5.30	5.66
BK13.4.50	BK14.4.50	BK15.4.50	BK16.4.50	0.15	3.90	4.50	5.04	5.51	5.95	6.36
BK13.5.00	BK14.5.00	BK15.5.00	BK16.5.00	0.17	4.33	5.00	5.59	6.13	6.61	7.07
BK13.5.50	BK14.5.50	BK15.5.50	BK16.5.50	0.18	4.76	5.50	6.15	6.74	7.27	7.78
BK13.6.00	BK14.6.00	BK15.6.00	BK16.6.00	0.2	5.19	6.00	6.71	7.33	7.94	8.48
BK13.6.50	BK14.6.50	BK15.6.50	BK16.6.50	0.22	5.63	6.50	7.26	7.96	8.60	9.20
BK13.7.00	BK14.7.00	BK15.7.00	BK16.7.00	0.24	6.05	7.00	7.82	8.58	9.25	9.90
BK13.7.50	BK14.7.50	BK15.7.50	BK16.7.50	0.25	6.49	7.50	8.38	9.19	9.91	10.60
BK13.8.00	BK14.8.00	BK15.8.00	BK16.8.00	0.27	6.93	8.00	8.94	9.80	10.58	11.31
BK13.8.50	BK14.8.50	BK15.8.50	BK16.8.50	0.29	7.36	8.50	9.50	10.45	11.27	12.08
BK13.9.00	BK14.9.00	BK15.9.00	BK16.9.00	0.3	7.79	9.00	10.06	11.02	11.91	12.73
BK13.9.50	BK14.9.50	BK15.9.50	BK16.9.50	0.32	8.22	9.50	10.60	11.70	12.60	13.50
BK23.10.00	BK24.10.00	BK25.10.00	BK26.10.00	0.34	8.71	10.00	11.09	12.20	13.15	14.10
BK23.10.50	BK24.10.50	BK25.10.50	BK26.10.50	0.36	9.10	10.50	11.70	12.90	13.90	14.90
BK23.12.00	BK24.12.00	BK25.12.00	BK26.12.00	0.4	10.40	12.00	13.40	14.70	15.90	17.00
BK23.13.50	BK24.13.50	BK25.13.50	BK26.13.50	0.46	11.65	13.50	15.07	16.53	17.90	19.17
BK23.15.50	BK24.15.50	BK25.15.50	BK26.15.50	0.55	13.37	15.50	17.33	18.95	20.56	21.89
BK23.17.50	BK24.17.50	BK25.17.50	BK26.17.50	0.6	15.10	17.50	19.60	21.40	23.20	24.80
BK23.19.50	BK24.19.50	BK25.19.50	BK26.19.50	0.65	16.90	19.50	21.80	23.90	25.80	27.60
BK23.21.50	BK24.21.50	BK25.21.50	BK26.21.50	0.7	18.60	21.50	24.00	26.40	28.40	30.40
BK23.24.00	BK24.24.00	BK25.24.00	BK26.24.00	0.8	20.80	24.00	26.80	29.40	31.80	34.00
BK23.28.00	BK24.28.00	BK25.28.00	BK26.28.00	0.9	24.20	28.00	31.30	34.30	37.00	39.60
BK23.30.00	BK24.30.00	BK25.30.00	BK26.30.00	1.0	26.00	30.00	33.60	36.80	39.70	42.50
BK23.35.00	BK24.35.00	BK25.35.00	BK26.35.00	1.2	30.30	35.00	39.10	42.90	46.30	49.50
BK23.40.00	BK24.40.00	BK25.40.00	BK26.40.00	1.3	34.60	40.00	44.70	49.00	53.00	56.50
BK23.45.00	BK24.45.00	BK25.45.00	BK26.45.00	1.5	39.00	45.00	50.40	55.20	59.50	63.70
BK23.50.00	BK24.50.00	BK25.50.00	BK26.50.00	1.7	43.30	50.00	55.90	61.30	66.10	70.70
BK23.55.00	BK24.55.00	BK25.55.00	BK26.55.00	1.8	47.60	55.00	61.50	67.40	72.70	77.70
BK23.60.00	BK24.60.00	BK25.60.00	BK26.60.00	2.0	52.00	60.00	67.00	73.50	79.40	84.00
BK23.70.00	BK24.70.00	BK25.70.00	BK26.70.00	2.4	60.60	70.00	78.20	85.70	92.50	99.00
BK23.80.00	BK24.80.00	BK25.80.00	BK26.80.00	2.7	60.20	80.00	89.40	98.00	106.00	113.50
BK23.90.00	BK24.90.00	BK25.90.00	BK26.90.00	3.0	77.90	90.00	100.90	110.50	119.20	127.50
BK33.100.00	BK34.100.00	BK35.100.00	BK36.100.00	3.4	86.50	100.00	111.90	122.50	132.30	141.40





# OUR BRANCHES

**Regd. Office (Mumbai) :**

Spraytech House, Plot A-132, Road No. 23, Spraytech Circle,  
Wagle Indl. Estate, Thane (W) - 400 604. Mumbai Maharashtra, (India)  
Tel. : 91-022-2582 8929 / 2735 / 2736  
E-mail :- sales@spraytechindia.com  
sales1@spraytechindia.com

**Rabale Plant 1 (Navi Mumbai) :**

Spraytech Systems (I) Pvt. Ltd., Plot No.: R-513, MIDC, TTC Industrial  
Area, Rabale, Navi Mumbai - 400 701.

**Rabale Plant 2 (Navi Mumbai) :**

R-446, T.T.C. Industrial Area, MIDC Rabale,  
Navi Mumbai - 400 701.

**Branch Office (Pune) :**

White House, Survey no. 161, Near  
Bhosale Garden Hadapsar, Pune 411028

**Indapur Plant (Pune) :**

Spraytech Systems (I) Pvt. Ltd., Plot No.: A-5, Indapur Five Star  
Industrial Area, Village - Loni Devkar Balpudi, Tal. - Indapur,  
Dist. - Pune. - 413132

